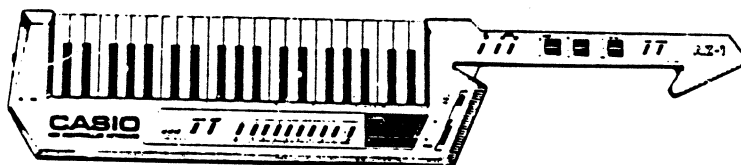


# SERVICE MANUAL & PARTS LIST

AZ-1

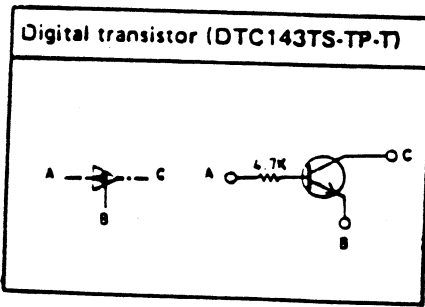
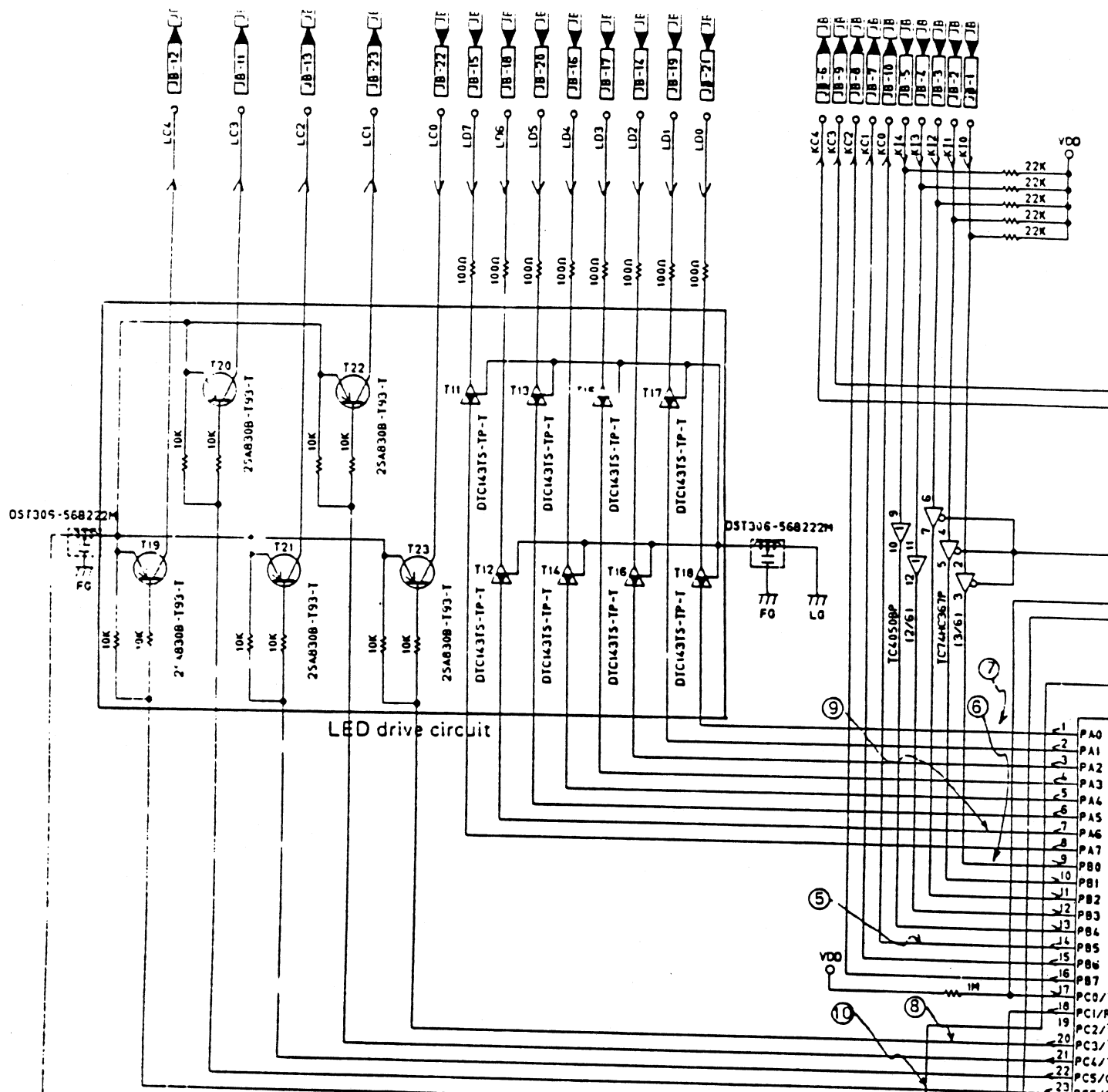


AZ-1

**CASIO**

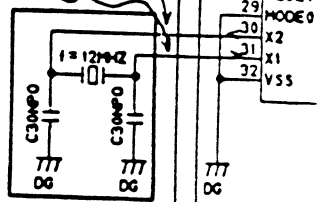
**CONTENTS**  
AZ-1 Service Manual

	PAGE
1. SCHEMATIC DIAGRAM .....	3 A3
1-1. Main PCB M3267-MA1M .....	3 A3
1-2. Keyboard (A) PCB M3267-KY1 .....	4 A5
1-3. Keyboard (B) PCB M3267-KY2M .....	5 A7
1-4. Console (A) PCB M3267-CN1M .....	6 A8
1-5. Console (B) PCB M3267-CN2M, CN3M, CN4 .....	7 A9
1-6. Console (C) PCB M3267-CN6, CN7, CN8, WHEEL .....	8 A10
1-7. LED Display PCB M3267-CN9 .....	9 A11
1-8. Power Switch & MIDI PCB M3267-CN5M .....	10 A12
2. PCB VIEW & MAJOR CHECKPOINTS .....	11 A13
3. MAJOR WAVEFORMS .....	12 B1
4. BLOCK DIAGRAM .....	13 B3
5. PCB LAYOUT .....	14 B5
6. CPU ( $\mu$ PD78C11-030) .....	15 B7
7. KEYBOARD .....	17 B9
7-1. Key Touch Speed Detection .....	17 B9
7-2. Key Matrix .....	18 B10
7-3. Pin Functions of the Key Touch Control LSI (MSM6200) .....	19 B11
7-4. Key Touch Control LSI (MSM6200) ACCESS .....	20 B12
8. PANEL SWITCH CONTROL .....	22 C1
9. LED DRIVE CIRCUIT .....	22 C1
10. VR CONTROL CIRCUIT .....	23 C2
11. POWER SUPPLY CIRCUIT .....	25 C4
12. RESET CIRCUIT .....	26 C5
13. SELF-CHECK FUNCTION .....	27 C6
14. ADJUSTMENT .....	28 C7
14-1. AVDD Adjustment .....	28 C7
14-2. VSS1 Adjustment .....	28 C7
14-3. After Touch Adjustment .....	29 C8
15. TROUBLESHOOTING .....	30 C9
 PARTS LIST .....	 31 D1
Parts Diagram .....	39 D9
Enlarged Schematic Diagram of PCB M3267-MA1M .....	3 D12
Operation Manual .....	E1



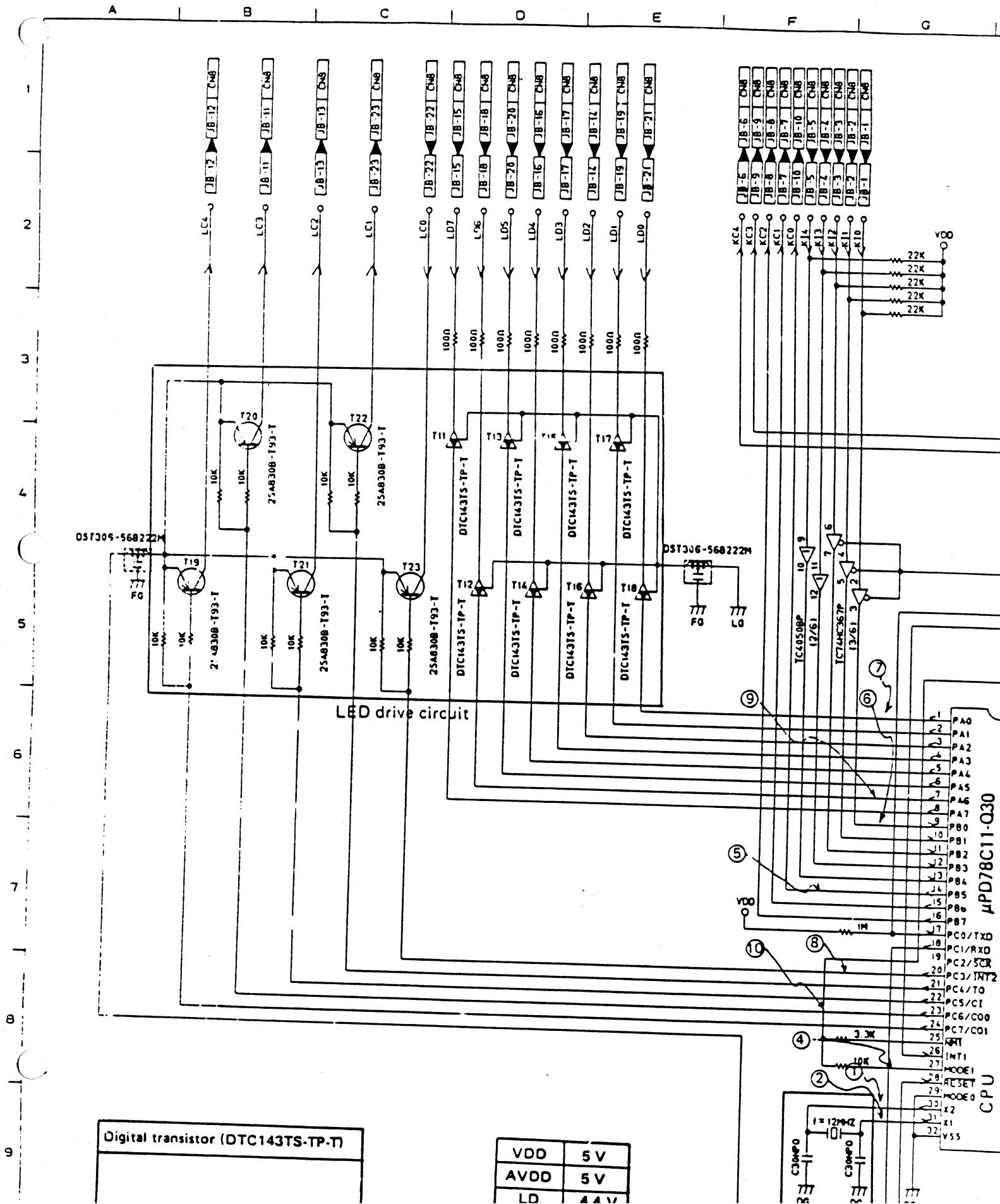
VDD	5 V
AVDD	5 V
LD	4.4 V

	GND	Power source
TC40H004	7pin	14pin
TC74HC367	8pin	16pin
TC4050	8pin	16pin
NJM4558	4pin	8pin



# 1. SCHEMATIC DIAGRAM

## 1-1. Main PCB M3267-MA1M



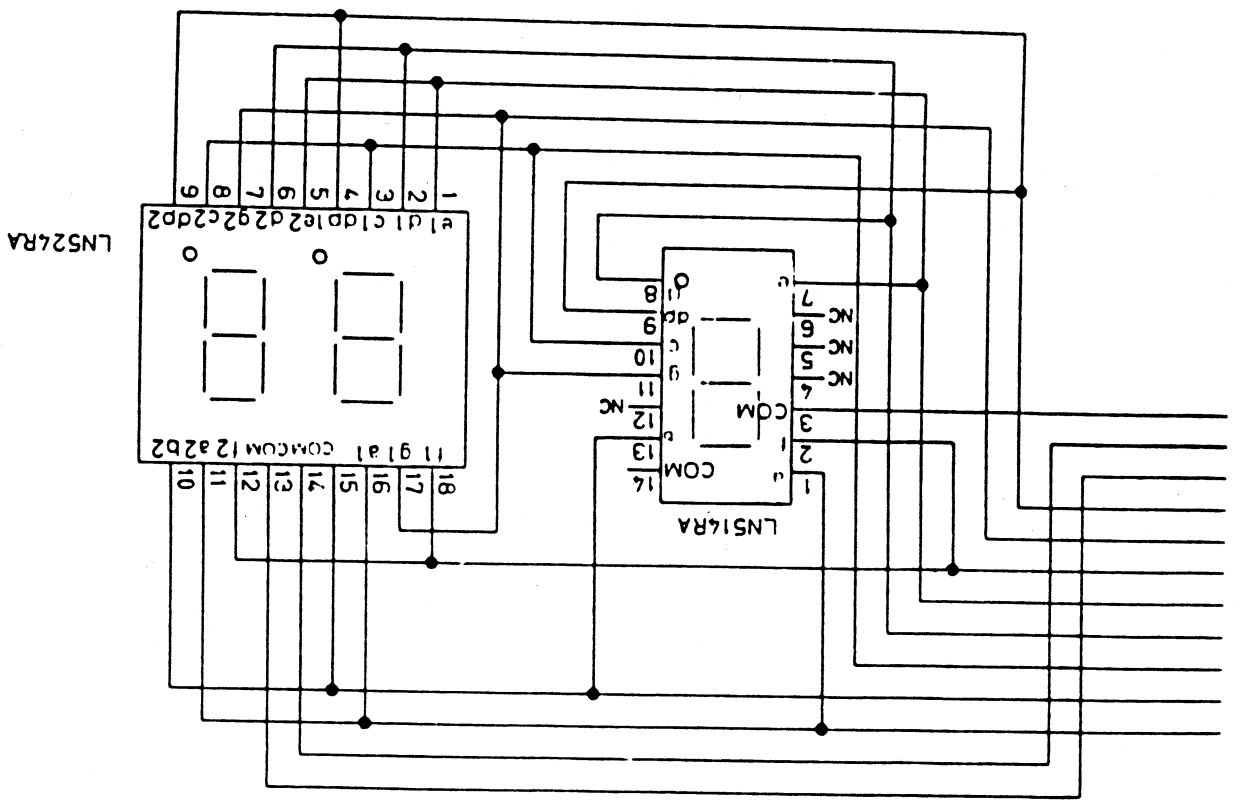
Digital transistor (DTC143TS-TP-T)

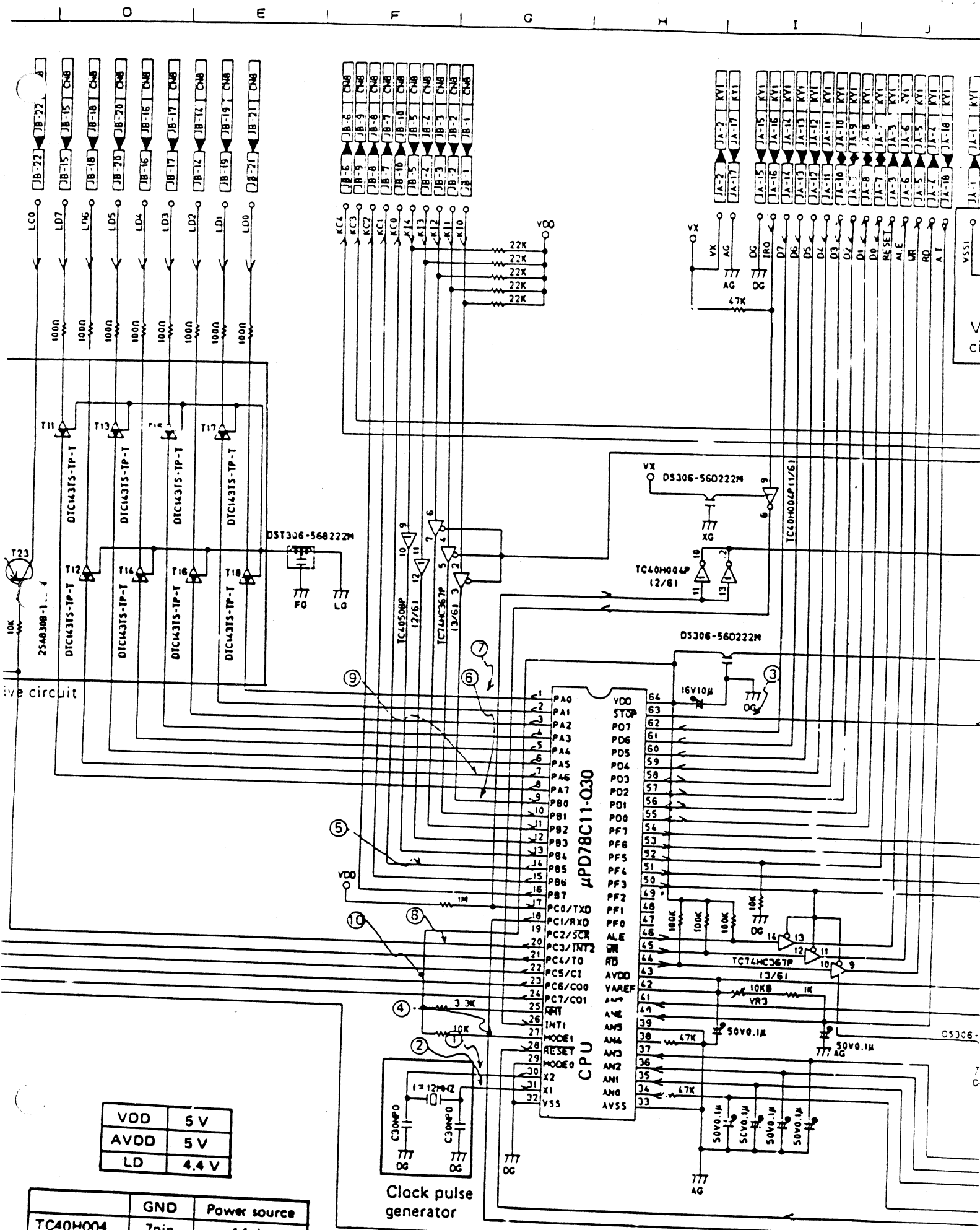
VDD	5V
AVDD	5V
LD	4.4V

μPD78C11-Q30 CPU



1-7. LED Display PCB M3267-CN9

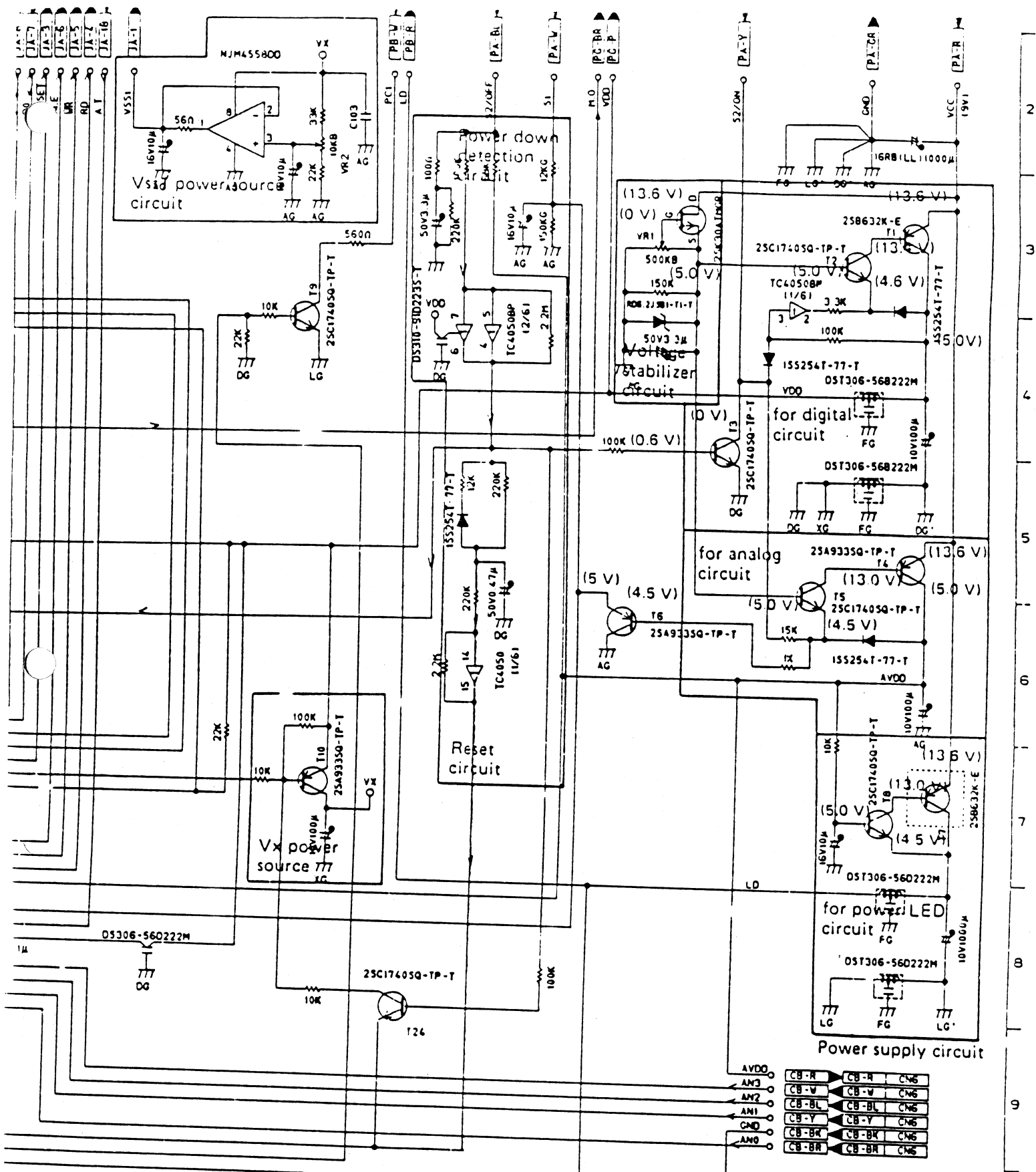




VDD	5 V
AVDD	5 V
LD	4.4 V

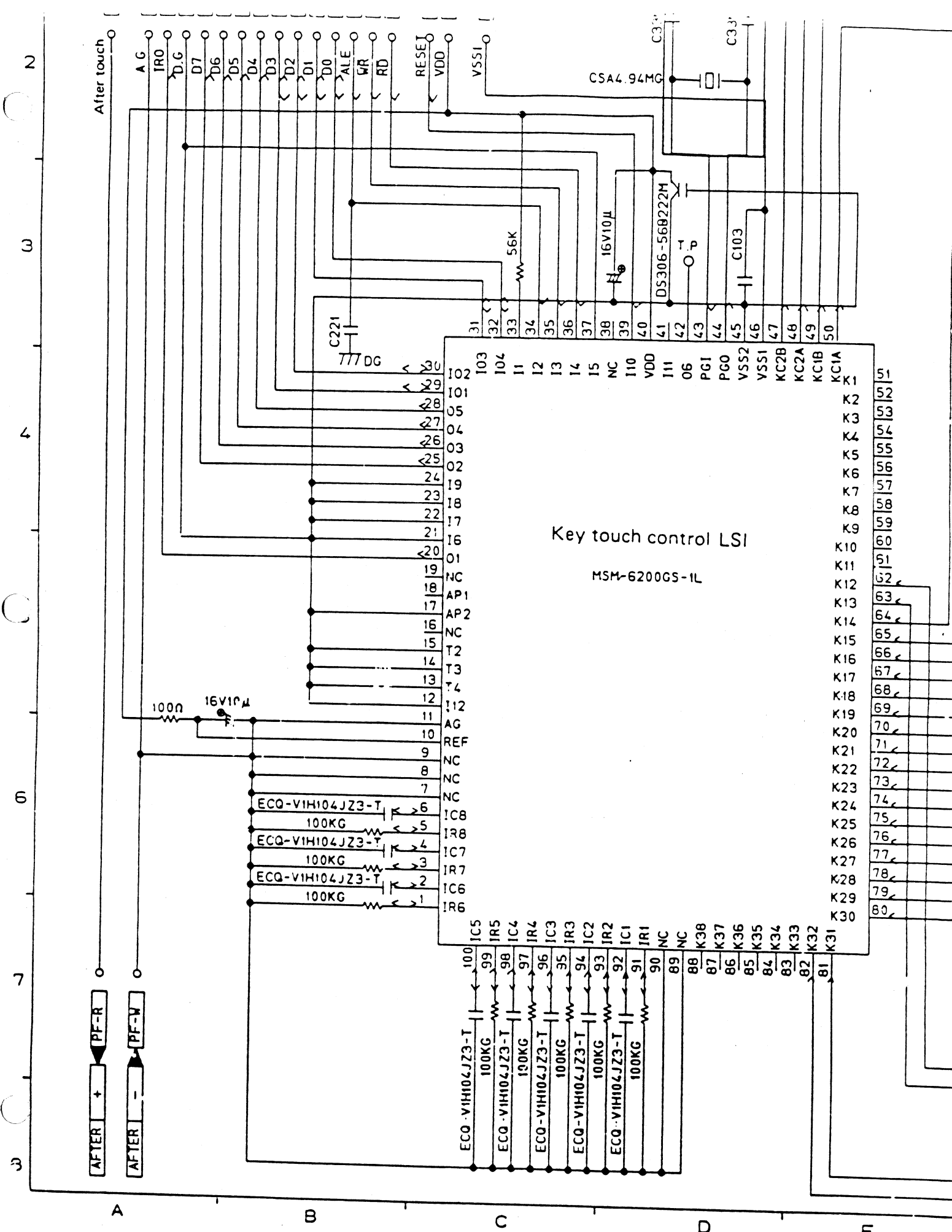
Clock pulse generator

	GND	Power source
TC40H00A	7pin	14pin



Note: Voltages in shown ( ) is using AD-5.





Key touch control LSI

MSM-6200GS-1L

After touch

AFTER +  
AFTER -

A

B

C

D

E

N

W

4

6

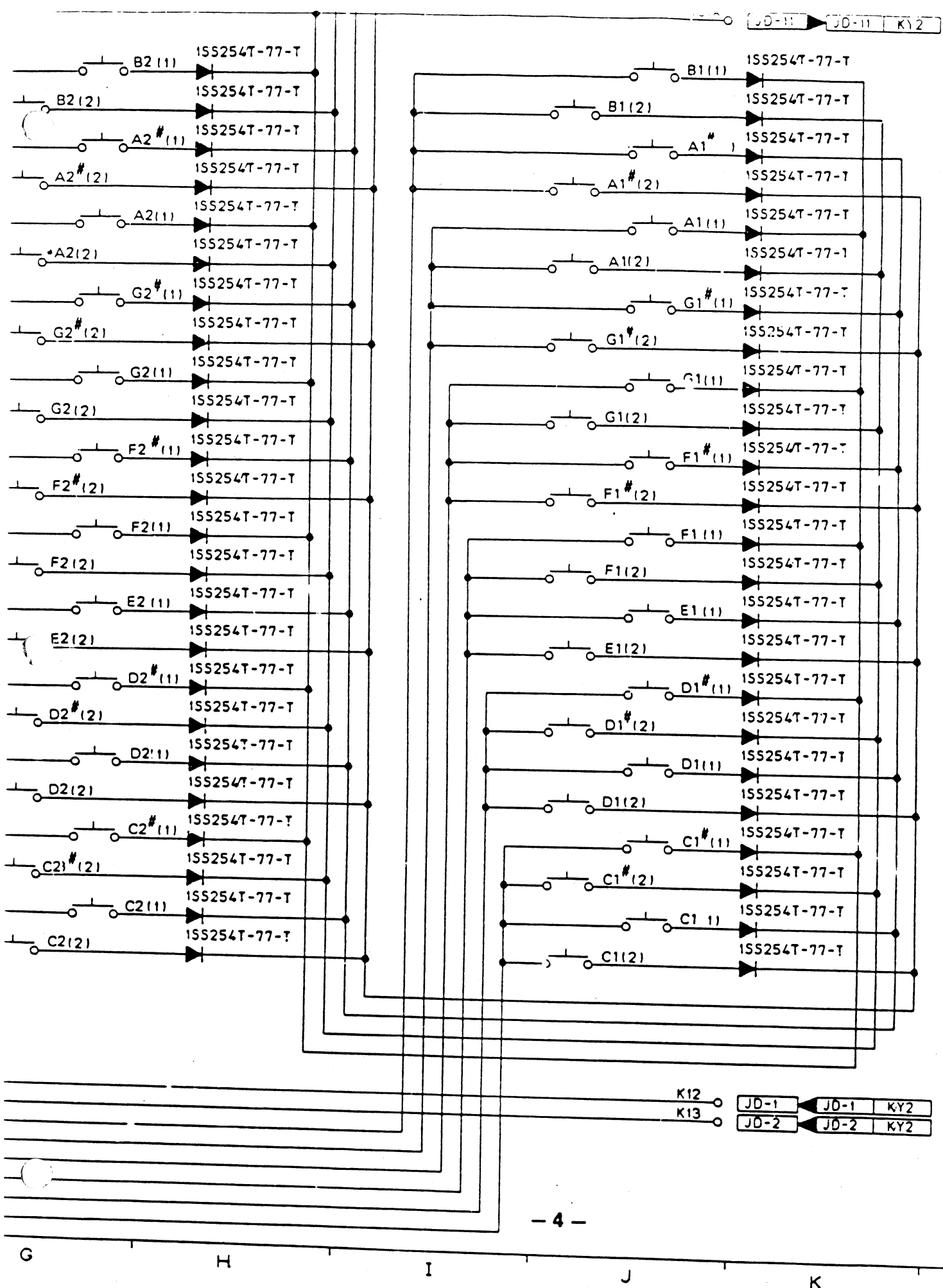
7

3

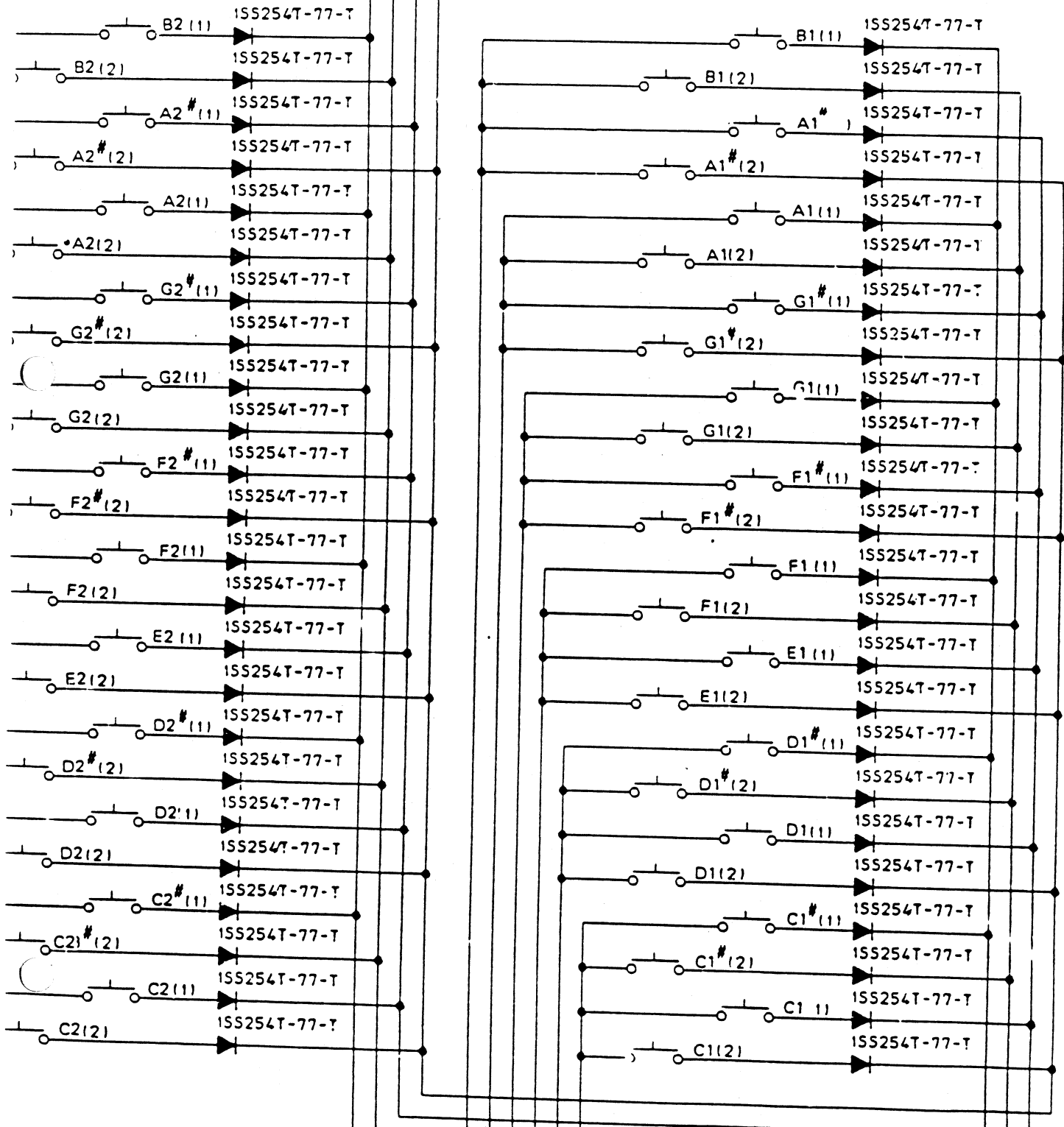




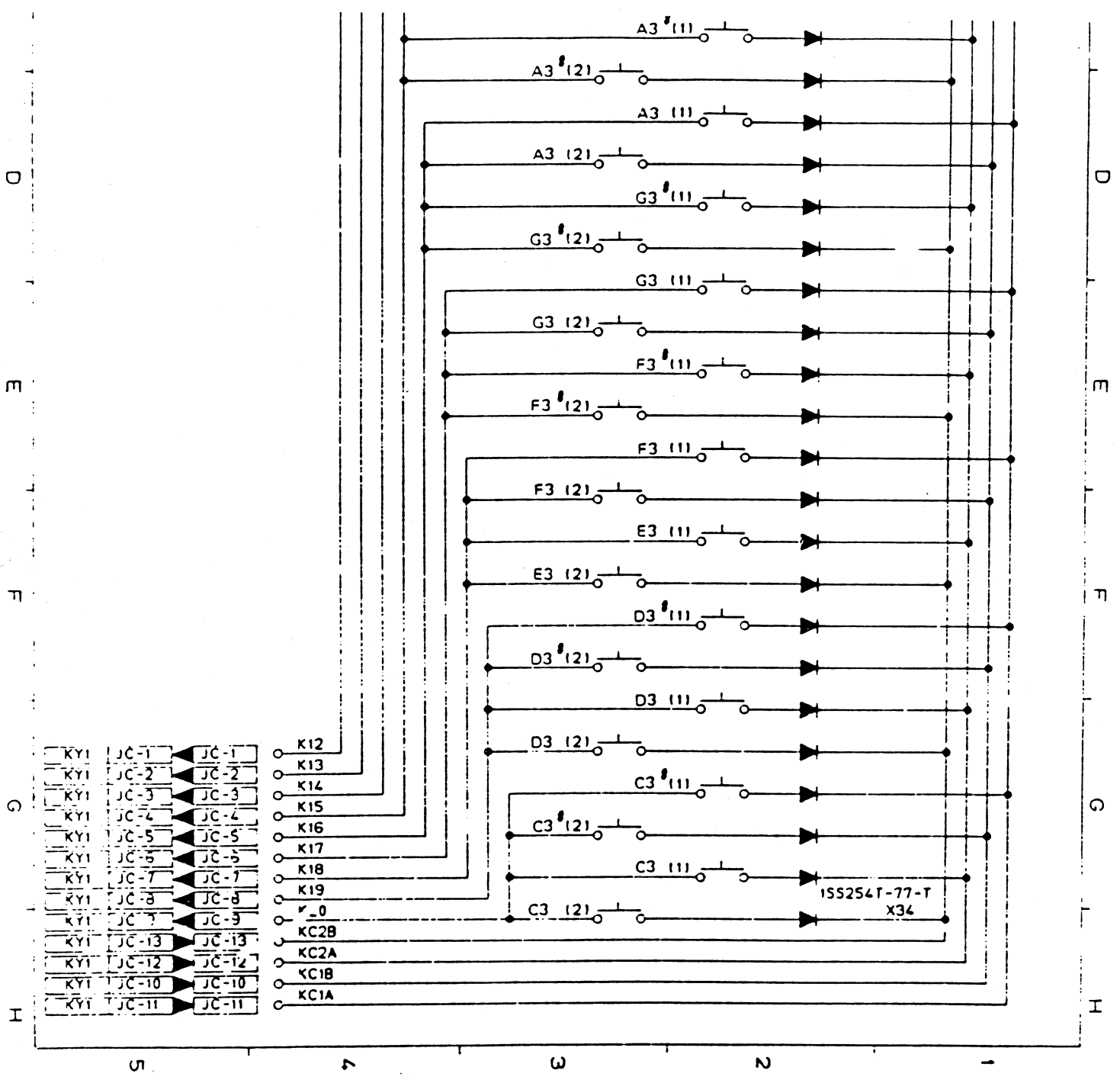




K14	JD-3	JD-3	KY2
K15	JD-4	JD-4	KY2
K16	JD-5	JD-5	KY2
K17	JD-6	JD-6	KY2
K18	JD-7	JD-7	KY2
K19	JD-8	JD-8	KY2
K20	JD-9	JD-9	KY2
KC2B	JD-13	JD-13	KY2
KC2A	JD-12	JD-12	KY2
KC1B	JD-10	JD-10	KY2
KC1A	JD-11	JD-11	KY2



1  
2  
3  
4  
5  
6



S

7

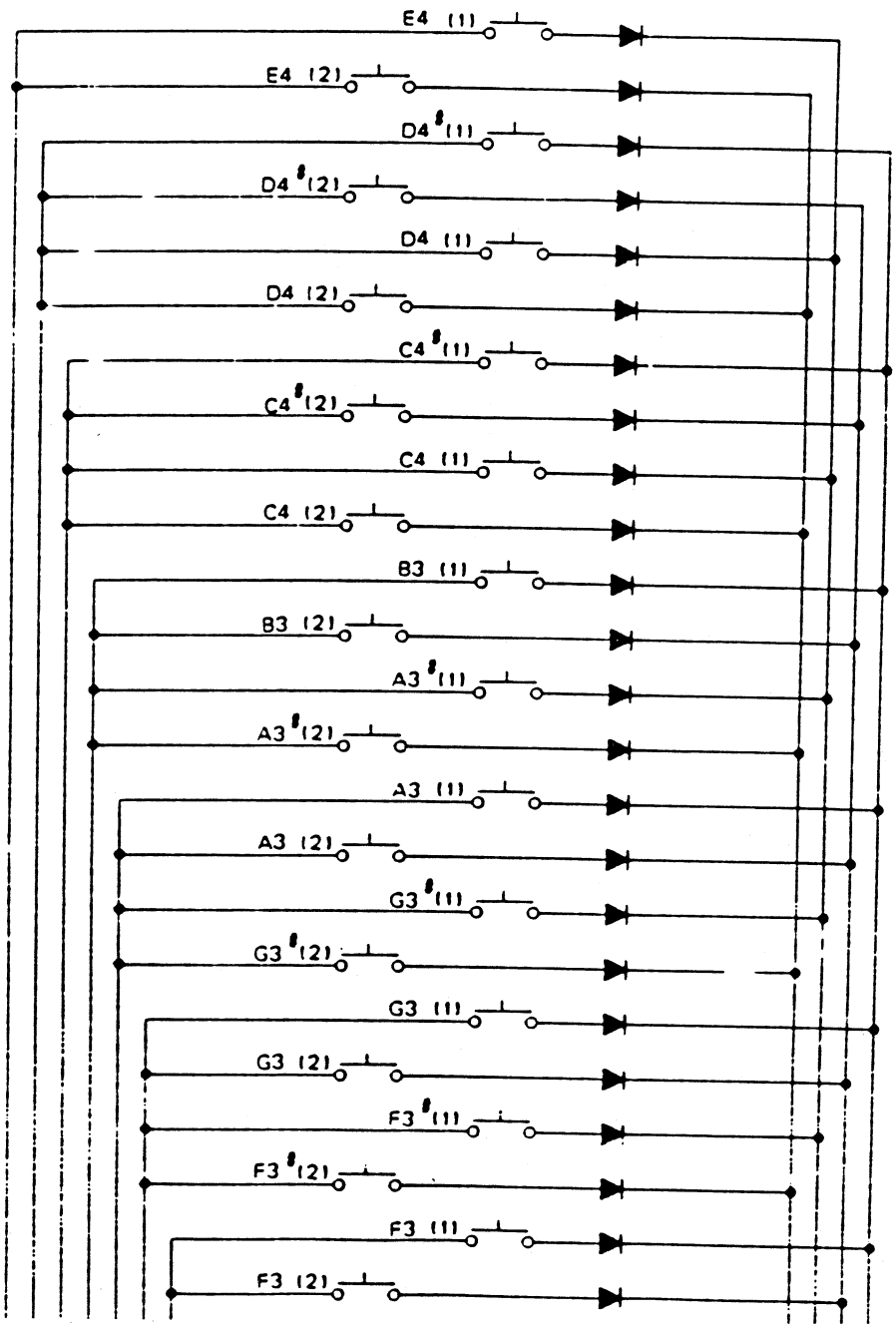
6

2

1

### 1-3. Keyboard (B) PCB M3267-KY2M

A  
B  
C  
D  
E



A  
B  
C  
D  
E

